

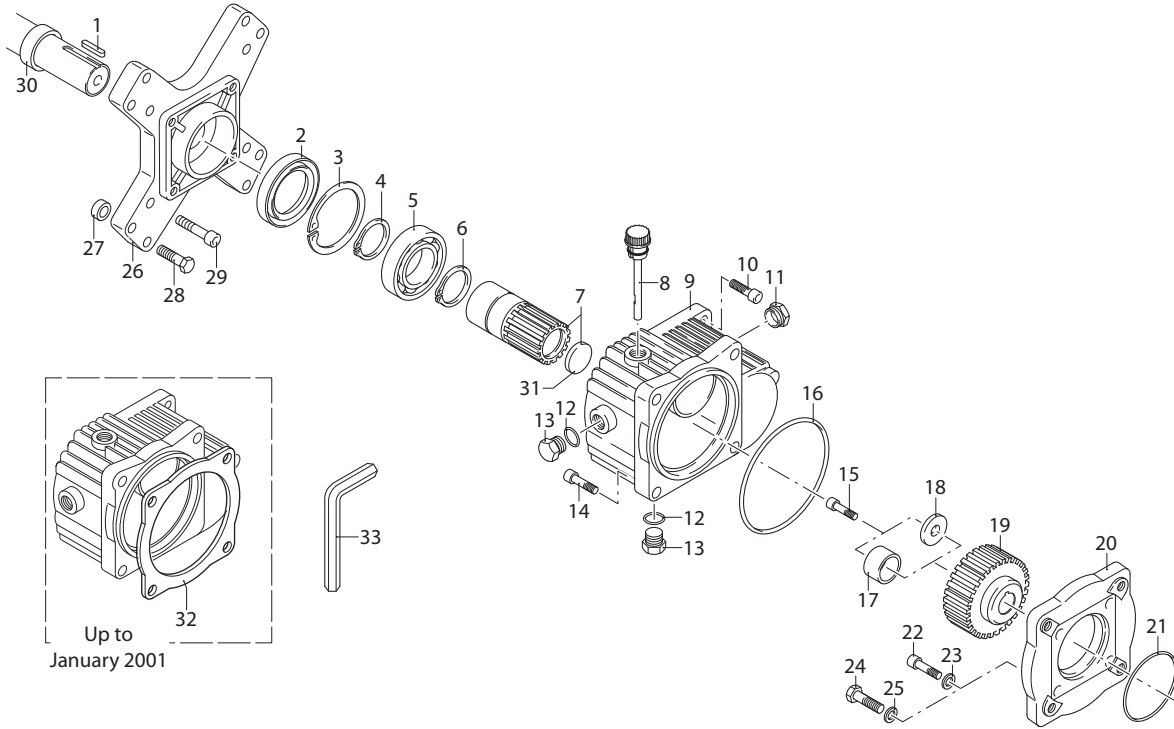
CR 1" for XT, XM, RK, RG, RW, XW, SXW series



Cilindrico
Cylindrical

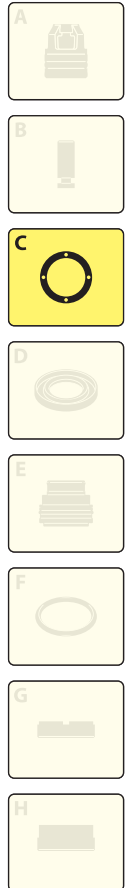
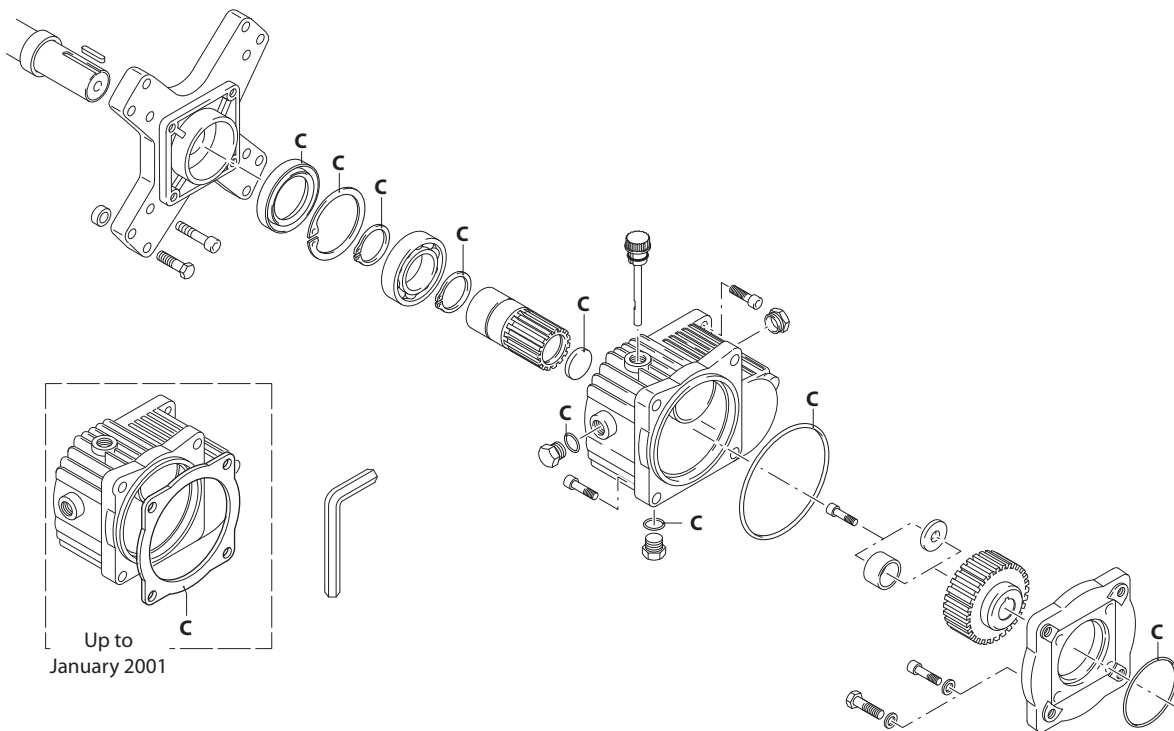
Ø 1"

SAE J 609a



UN00_4118-EN

KIT RICAMBI / PART KITS



UN00_4119-LN

(1388200 per/for 1693-1697-1698) (1388170 per/for 1689-1690) (1388190 per/for 1693)

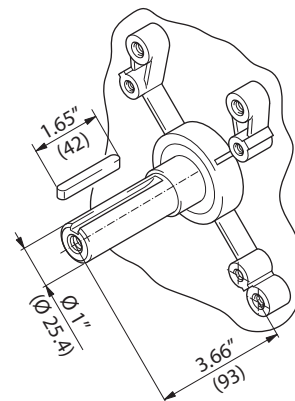


Pos.	Cod.	Denominazione	Description	Qt	Note	Pos.	Cod.	Denominazione	Description	Qt	Note
1	960770	Linguetta	Key	1		32	1320990	Guarnizione	Gasket	1	Up to January 2001
2	961800	Anello tenuta	Ring	1	○ ● ☆	33	1380630	Chiave di manovra	Key	1	
	1941920	Anello tenuta	Ring	1	▼ ▲ Viton						
3	961790	Anello seeger Øi 68	Ring	1							
4	320240	Anello seeger Øe 40	Ring	1							
5	961781	Cuscinetto	Bearing	1							
6	320240	Anello seeger Øe 40	Ring	1	☆ ▼						
7	1389001	Pignone Z=23	Pinion	1	○ ● ▼						
	1389000	Pignone Z=21	Pinion	1	☆ ▲						
8	1140370	Tappo	Plug	1							
9	1320910	Scatola	Box	1							
10	881940	Vite TCEI M8x25	Screw	4	⊕ C=24Nm						
11	1983700	Indicatore livello	Level gauge	1	▼ ▲ C=20Nm						
	1980290	Indicatore livello 3/8" G	Level gauge	1	○ ● ☆ C=8Nm						
12	740290	Guarnizione OR Ø 14x1,78	O-ring	2							
13	1980740	Tappo 3/8" G ottone	Plug	2	C=20Nm						
14	160671	Vite TCEI M10x25	Screw	4	⊕ C=24Nm						
15	880280	Vite TCEI M6x18	Screw	1	⊕ C=10Nm						
16	1520590	Guarnizione OR Ø 107,67x1,78	O-ring	1	From January 2001 onwards						
17	1940500	Distanziale	Spacer	1	▼ ▲						
18	780230	Rondella	Washer	1	○ ● ☆						
19	1322940	Ruota dentata Z=45	Gear	1	○						
	1321230	Ruota dentata Z=45	Gear	1	● ▼						
20	1320960	Ruota dentata Z=47	Gear	1	☆ ▲						
21	1320920	Flangia	Flange	1	○						
	1320930	Flangia	Flange	1	● ☆ ▼ ▲						
22	650920	Guarnizione OR Ø 53,65x2,62	O-ring	1	○						
	640030	Guarnizione OR Ø 59,99x2,62	O-ring	1	● ☆ ▼ ▲						
23	780330	Vite TCEI M6x20	Screw	4	○ ⊕ C=10Nm						
24	1341020	Rondella	Washer	4	○						
	180432	Vite TE M8x20	Screw	4	● ☆ XM-XMA ⊕ C=24Nm						
25	390450	Vite TE M8x30	Screw	4	▼ ▲ RK, XW, SXW, RG ⊕ C=24Nm						
	1260100	Rondella	Washer	4	● ☆ ▼ ▲						
26	1320940	Flangia	Flange	1							
27	961770	Distanziale	Spacer	4							
28	961900	Vite 3/8"	Screw	4							
29	651000	Vite TCEI 5/16" 24 UNF 1"	Screw	4							
30	1382540	Distanziale	Spacer	1	● ☆ ▼ ▲						
31	1382530	Tappo	Plug	1							

1" SHAFT (Ø 25.4 mm) GAS ENGINES - KEY USAGE INSTRUCTIONS
(Ref. REDUCTION GEARBOXES AR codes 1689-1690-1697-1698)

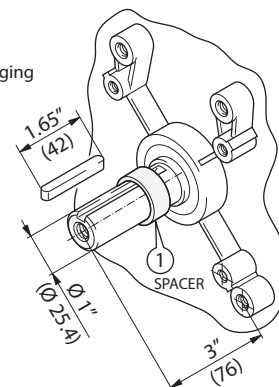
LONG SHAFT GAS ENGINES

NOTE: Use 1.5" key (38 mm) **ONLY** for LONG SHAFT gas engines (3.66")



SHORT SHAFT GAS ENGINES

NOTE: Use 1.65" key (42 mm) **ONLY** for SHORT SHAFT gas engines for outputs ranging from 9 to 20 HP



Measurement are in INCHES (mm)

cod. 1382520 - 06.05.02

KIT RICAMBI - PART KITS

C=KIT 2793 ○ tenute olio oil seals				C=KIT 2525 ● ☆ tenute olio oil seals			
Pos.	Q.ty	Pos.	Q.ty	Pos.	Q.ty	Pos.	Q.ty
2	1	32	1	2	1	32	1
3	1			3	1		
4	1			4	1		
12	2			6	1		
16	1			12	2		
21	1			16	1		
31	1			21	1		

C=KIT 2571 ▼ ▲ tenute olio oil seals							
Pos.	Q.ty	Pos.	Q.ty	Pos.	Q.ty	Pos.	Q.ty
2	1						
3	1						
4	1						
12	2						
16	1						
21	1						
32	1						

SIMBOLOGIA - SYMBOLS

For XT series	For XM, RK series	For RG, RW, XW, SXW series
○ Per / For cod. 1693 1:2	● Per / For cod. 1690 1:2 ☆ Per / For cod. 1689 1:2,24	▼ Per / For cod. 1697 1:2 ▲ Per / For cod. 1698 1:2,24

- C Tolleranza coppia di serraggio +0÷-10% / Tightening torque tolerance +0÷-10%
- ⊕ Avvitare con Loxeal 55-14 / Screw with Loxeal 55-14
- ⊞ Sigillare con Arexons Mastic / Seal with Arexons adhesive

Olio - Oil	
Tipo / Type	Quantità / Quantity
ISO VG 220	0,21 Kg